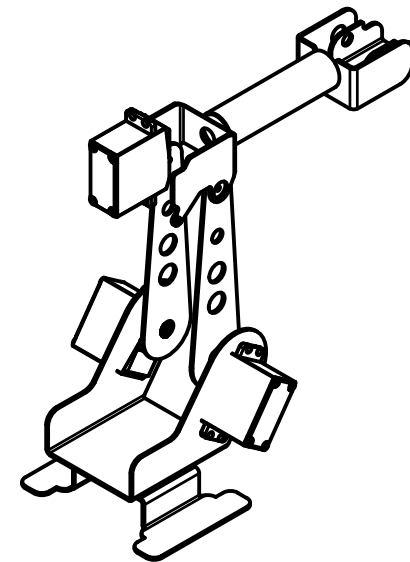



Maße können
fertigungsbedingt
geringfügig abweichen



Dept. Modellrobotik	Technical reference	Created by Maximilian Beck 15.12.16	Approved by	
		Document type Abmaße	Document status	
		Title mp-robot-a	DWG No.	
		Rev.	Date of issue	Sheet 1/1