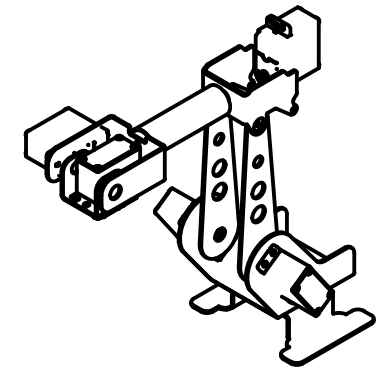



Maße können
fertigungsbedingt
abweichen



Dept. Modellrobotik	Technical reference	Created by Maximilian Beck 12.01.17	Approved by	
		Document type	Document status	
		Title mp-robot-b	DWG No.	
		Rev.	Date of issue	Sheet 1/1