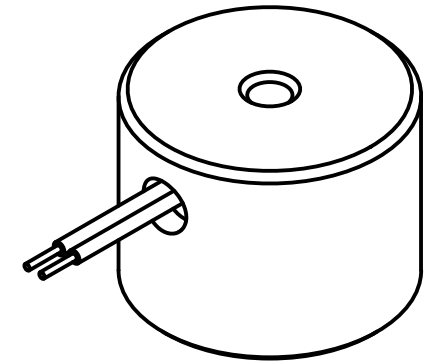
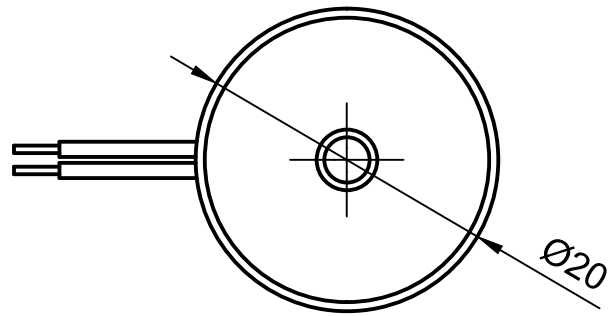
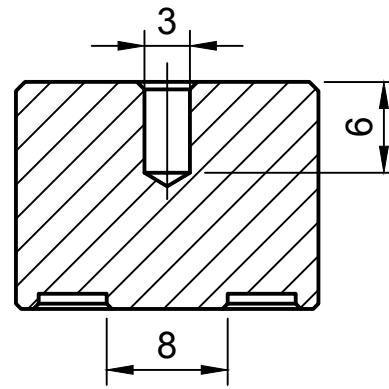


A-A (2:1)



Dept.	Technical reference	Created by <b>Maximilian Beck</b> 09.06.17	Approved by	
		Document type	Document status	
		Title <b>CL-P 20/15</b>	DWG No.	
		Rev.	Date of issue	Sheet <b>1/1</b>